

Prestolok/Prestolok II Fittings

Advantages

Ready-to-use compact one-piece fitting for use with most thermoplastic and copper tubing. This fitting is specially designed for low pressure circuits where fast assembly, disassembly and reassembly is important. No special tools are needed for assembly; just insert the tubing until it bottoms. Prestolok/Prestolok II is designed to be used with no tube support. Radial claws on the stainless steel grab ring grip the tubing securely to provide retention. Brass Male pipe threads come standard with a white acrylic sealant pre-applied ("W" prefix) swivels are featured on all male pipe threaded shapes for installation in tight places and for precise positioning. Prestolok/Prestolok II should not be used for live swivel applications. The outside diameter of the tubing to be used with the fitting is marked on the release button. The removable release button can be color coded for ease of identification. Standard release button is green.

Materials

Prestolok Bodies: CA377, CA360, CA345
 Prestolok II Bodies: Glass Filled Nylon
 O-Ring: Nitrile (other compounds available on request)
 Release Button: Polyacetal
 Grab Ring: Stainless Steel

Applications

Use with Parker Parflex series "E" polyethylene tubing, series "N" nylon tubing, series "U" polyurethane tubing or copper tubing. Perfectly adapted for use in a large variety of industries, Prestolok II was designed as an economical alternative for pneumatic applications that do not require the higher pressure capacity of the standard prestolok fittings, consult the factory with any questions regarding special product applications. All applications should be carefully tested through the range of conditions which may be encountered prior to use. For inch O.D. tubing

Working pressure and temperature ranges

Prestolok: Zero to 200°F at up to 300 PSI depending on tubing being used.
 Prestolok II: Zero to 150°F at up to 150 PSI depending on tubing being used

Vacuum applications are dependent upon temperature and type of tubing used.

Assembly Instructions

1. Cut thermoplastic tubing squarely, using Parker Tube Cutter PTC-001. Metal tubing should be cut squarely and free of burrs. Be certain the port or mating part is clean and free of debris.
2. Insert tubing into fitting until it bottoms. A slight twisting motion will ease the insertion. Pull on tubing to verify it is properly retained in the fitting.
3. To disassemble, simply push the release button against the body and remove tubing.

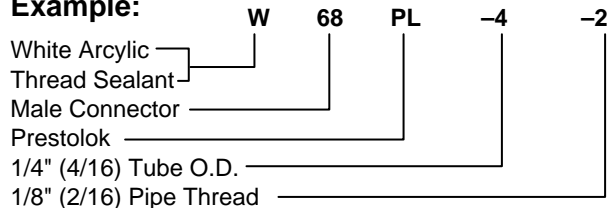
Order

By part number and name.

Nomenclature

Part numbers are constructed from symbols that identify the style and size of the fitting. The first series of numbers and letters identify the style and type fitting. The second series of numbers describe the size.

Example:



Sizes

Tube sizes are determined by the number of sixteenths of an inch in the tube O.D.

Metric Fittings

Metric fittings are available in Catalog 3550.
 Thread types: BSPT and BSPP Sizes: 1/8-1/2.
 Tube sizes: 4MM-14MM.

Specials

Fitting configurations and/or sizes other than those shown in the catalog can be furnished. It is suggested that a print or sketch be submitted with the inquiry.

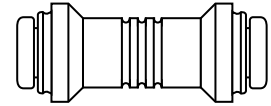
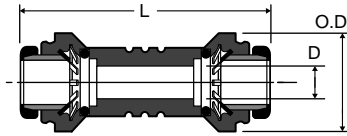
Pricing

Only items priced in current supplementary price list PL3501 are carried in stock. Price and delivery for non-stock items furnished on request for specified quantity.

Equal union 32PL

Composite Body

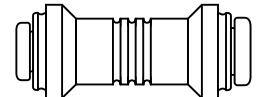
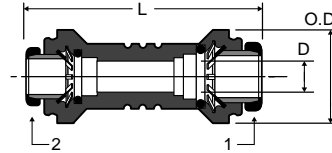
PART NO.	TUBE SIZE	O.D.	L	FLOW DIA. D
32PL-2	1/8	.51	1.32	.09
32PL-5/32	5/32	.51	1.32	.12
32PL-3	3/16	.59	1.37	.16
32PL-4	1/4	.59	1.37	.19
32PL-5	5/16	.67	1.49	.25
32PL-6	3/8	.83	1.76	.31



Unequal union 32PL

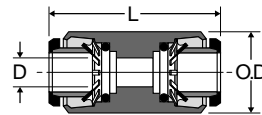
Composite Body

PART NO.	1 TUBE SIZE	2 TUBE SIZE	O.D.	L	FLOW DIA. D
32PL-5/32-2	5/32	1/8	.51	1.32	.09
32PL-4-2	1/4	1/8	.59	1.37	.09
32PL-5-4	5/16	1/4	.67	1.47	.19
32PL-6-4	3/8	1/4	.83	1.75	.19



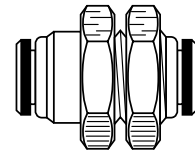
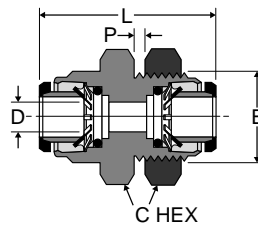
Union 62PL

PART NO.	TUBE SIZE	O.D.	L	D
62PL-2	1/8	.406	1.44	.094
62PL-3	3/16	.437	1.35	.156
62PL-5/32	5/32	.406	1.44	.125
62PL-4	1/4	.500	1.51	.188
62PL-5	5/16	.562	1.68	.250
62PL-6	3/8	.625	1.68	.312
62PL-8	1/2	.750	1.90	.375



Bulkhead union 62PLBH

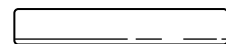
PART NO.	TUBE SIZE	B	C HEX	P MAX.	L	D
62PLBH-2	1/8	7/16	9/16	.39	1.44	.094
62PLBH-5/32	5/32	7/16	9/16	.39	1.44	.125
62PLBH-4	1/4	9/16	11/16	.29	1.51	.188
62PLBH-5	5/16	5/8	3/4	.60	1.68	.250
62PLBH-6	3/8	3/4	7/8	.54	1.68	.312
62PLBH-8	1/2	7/8	1	.66	1.90	.375



Double male union 63PL

Plastic Body

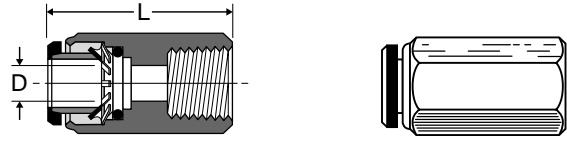
PART NO.	TUBE SIZE	L	D
63PL-2	1/8	1.49	.078
63PL-5/32	5/32	1.49	.106
63PL-4	1/4	1.61	.188
63PL-5	5/16	1.61	.236
63PL-6	3/8	2.00	.295
63PL-8	1/2	2.12	.374



Prestolok/Prestolok II Fittings

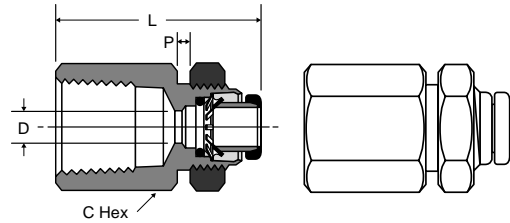
Female connector 66PL

PART NO.	TUBE SIZE	PIPE THREAD (NPTF)	L	D
66PL-2-2	1/8	1/8	1.18	.094
66PL-3-2	3/16	1/8	1.16	.156
66PL-5/32-2	5/32	1/8	1.18	.125
66PL-5/32-4	5/32	1/4	1.39	.125
66PL-4-2	1/4	1/8	1.21	.188
66PL-4-4	1/4	1/4	1.42	.188
66PL-5-2	5/16	1/8	1.27	.250
66PL-5-4	5/16	1/4	1.47	.250
66PL-6-4	3/8	1/4	1.46	.312
66PL-6-6	3/8	3/8	1.51	.312



Female bulkhead 66PLBH

PART NO.	TUBE SIZE	PIPE THREAD (NPTF)	C HEX	P MAX.	L	FLOW DIA. D
66PLBH-5/32-4	5/32	1/4	11/16	.24	1.38	.13
66PLBH-4-4	1/4	1/4	11/16	.19	1.35	.18
66PLBH-6-6	3/8	3/8	1	.22	1.44	.31
66PLBH-8-6	1/2	3/8	1 1/4	.35	1.57	.34

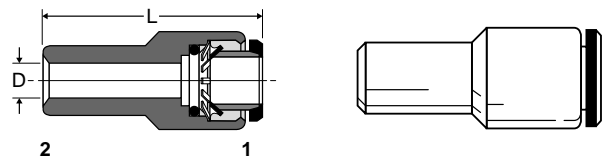


Tube end reducer 67PPL

Plastic Body

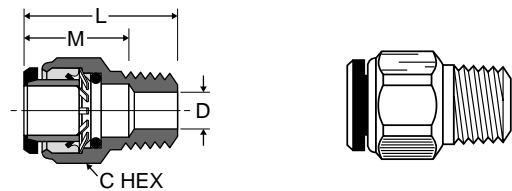
PART NO.	1 TUBE SIZE	2 TUBE SIZE	L	D
67PPL-2-5/32	1/8	5/32	1.48	.078
67PPL-2-4	1/8	1/4	1.48	.078
67PPL-5/32-4 *	5/32	1/4	1.48	.118
67PPL-5/32-5 *	5/32	5/16	1.41	.118
67PPL-5/32-6 *	5/32	3/8	1.63	.118
67PPL-4-5	1/4	5/16	1.52	.177
67PPL-4-6	1/4	3/8	1.64	.177
67PPL-4-8	1/4	1/2	1.72	.177
67PPL-5-6 *	5/16	3/8	1.79	.236
67PPL-6-8	3/8	1/2	1.92	.295

* Parts supplied with black bodies and black release buttons



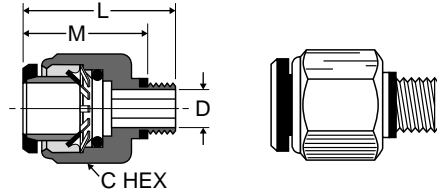
Male connector W68PL

PART NO.	TUBE SIZE	PIPE THREAD (NPTF)	C HEX	L	M	D
W68PL-2-1	1/8	1/16	3/8	.85	.47	.094
W68PL-2-2	1/8	1/8	7/16	.85	.47	.094
W68PL-2-4	1/8	1/4	9/16	1.10	.54	.094
W68PL-3-2	3/16	1/8	7/16	.92	.54	.156
W68PL-3-4	3/16	1/4	9/16	1.10	.54	.156
W68PL-5/32-2	5/32	1/8	7/16	.85	.47	.125
W68PL-5/32-4	5/32	1/4	9/16	1.10	.54	.125
W68PL-4-1	1/4	1/16	1/2	1.15	.77	.140
W68PL-4-2	1/4	1/8	1/2	.98	.58	.188
W68PL-4-4	1/4	1/4	9/16	1.10	.54	.188
W68PL-4-6	1/4	3/8	3/4	1.14	.58	.188
W68PL-5-2	5/16	1/8	9/16	1.24	.86	.234
W68PL-5-4	5/16	1/4	9/16	1.12	.56	.250
W68PL-5-6	5/16	3/8	11/16	1.12	.56	.250
W68PL-6-2	3/8	1/8	11/16	1.25	.87	.234
W68PL-6-4	3/8	1/4	11/16	1.14	.58	.312
W68PL-6-6	3/8	3/8	11/16	1.08	.52	.312
W68PL-6-8	3/8	1/2	7/8	1.34	.59	.312
W68PL-8-4	1/2	1/4	13/16	1.54	.98	.344
W68PL-8-6	1/2	3/8	13/16	1.26	.70	.375
W68PL-8-8	1/2	1/2	7/8	1.45	.70	.375



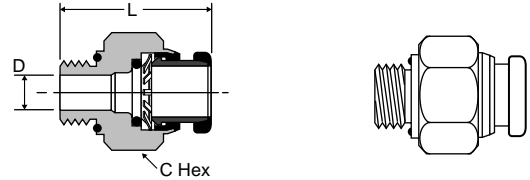
Male connector 68PL-X-10/32

PART NO.	TUBE SIZE	THREAD [UNF]	C HEX	L	M	D	INTERNAL BROACH
68PL-2-10X32	1/8	10-32	3/8	.93	.77	.094	.094
68PL-5/32-10X32	5/32	10-32	13/32	.95	.79	.094	.094
68PL-4-10X32	1/4	10-32	1/2	1.01	.87	.094	.094



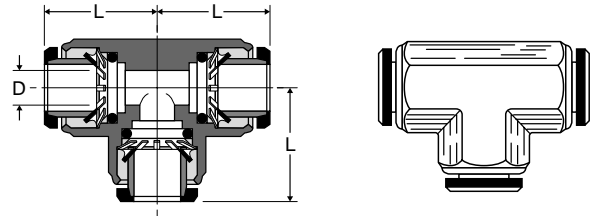
PLHBF4-B BSPP male connector

PART NO.	TUBE SIZE	PIPE THREAD BSPP	C HEX	L	D
3-1/8PLHBF4-B	3/16	1/8-28	11/16	.96	.160
3-1/4PLHBF4-B	3/16	1/4-19	3/4	.97	.156
4-1/8PLHBF4-B	1/4	1/8-28	11/16	.98	.188
4-1/4PLHBF4-B	1/4	1/4-19	3/4	1.13	.188
4-3/8PLHBF4-B	1/4	3/8-19	7/8	1.13	.188
6-1/4PLHBF4-B	3/8	1/4-19	3/4	1.26	.256
6-3/8PLHBF4-B	3/8	3/8-19	7/8	1.26	.312
6-1/2PLHBF4-B	3/8	1/2-14	1-1/16	1.26	.312
8-3/8PLHBF4-B	1/2	3/8-19	7/8	1.36	.410
8-1/2PLHBF4-B	1/2	1/2-14	1-1/16	1.36	.500



Union tee 164PL

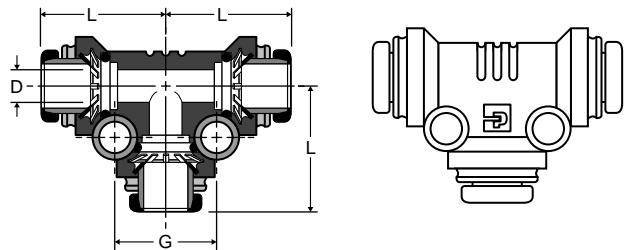
PART NO.	TUBE SIZE	L	D
164PL-2	1/8	.78	.094
164PL-3	3/16	.78	.156
164PL-5/32	5/32	.80	.125
164PL-4	1/4	.96	.188
164PL-5	5/16	.99	.250
164PL-6	3/8	1.04	.312
164PL-8	1/2	1.19	.375



Union tee 364PL

Composite Body

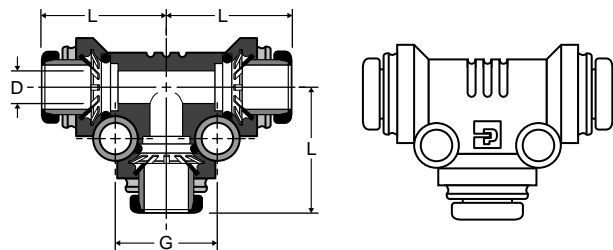
PART NO.	TUBE SIZE	MOUNTING HOLE DIA.	L	G	D
364PL-2	1/8	.13	.71	.52	.094
364PL-5/32	5/32	.13	.71	.52	.125
364PL-3	3/16	.17	.76	.64	.156
364PL-4	1/4	.17	.76	.64	.188
364PL-5	5/16	.17	.84	.72	.250
364PL-6	3/8	.17	1.04	.83	.312
364PL-8	1/2	.17	1.30	1.00	.344



Union tee stainless steel componentry SS364PL

Composite Body

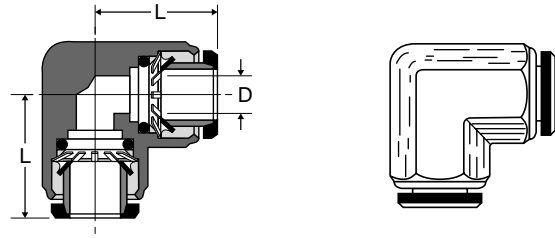
PART NO.	TUBE SIZE	MOUNTING HOLE DIA.	L	G	D
SS364PL-4	1/4	.17	.76	.64	.188
SS364PL-6	3/8	.17	1.04	.83	.312



Prestolok/Prestolok II Fittings

Union elbow 165PL

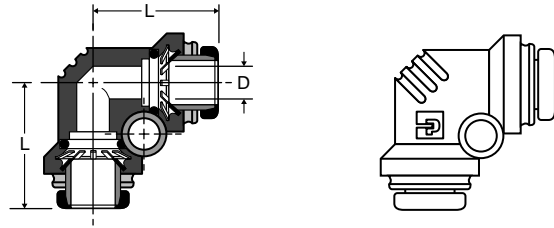
PART NO.	TUBE SIZE	L	D
165PL-2	1/8	.78	.094
165PL-5/32	5/32	.80	.125
165PL-4	1/4	.83	.188
165PL-5	5/16	.99	.250
165PL-6	3/8	1.04	.312
165PL-8	1/2	1.19	.375



Union elbow 365PL

Composite Body

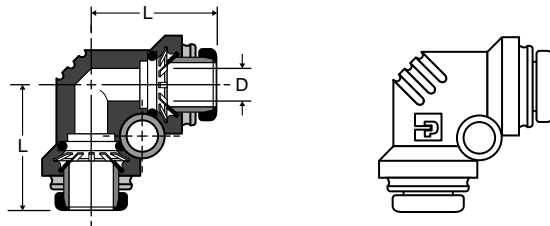
PART NO.	TUBE SIZE	MOUNTING HOLE DIA.	L	D
365PL-2	1/8	.13	.71	.094
365PL-3	3/16	.17	.76	.156
365PL-5/32	5/32	.13	.71	.125
365PL-4	1/4	.17	.76	.188
365PL-5	5/16	.17	.84	.250
365PL-6	3/8	.17	1.04	.312
365PL-8	1/2	.17	1.30	.344



Union elbow stainless steel componentry SS365PL

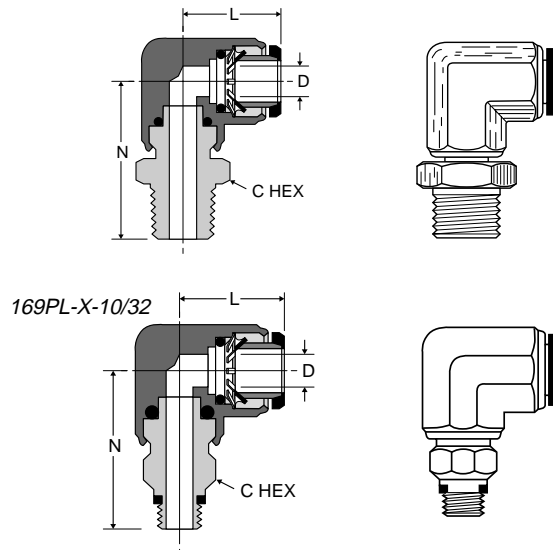
Composite Body

PART NO.	TUBE SIZE	MOUNTING HOLE DIA.	L	D
SS365PL-4	1/4	.17	.76	.188
SS365PL-6	3/8	.17	1.04	.312



Male elbow swivel 90° W169PL

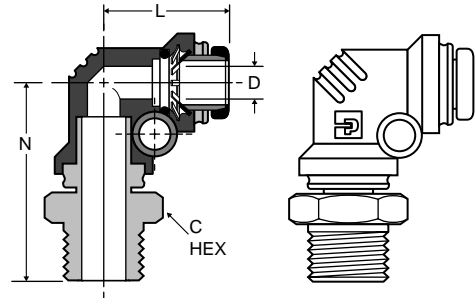
PART NO.	TUBE SIZE	PIPE THREAD [NPTF]	C HEX	L	N	D
W169PL-2-2	1/8	1/8	7/16	.78	1.22	.078
169PL-2-10X32	1/8	10-32	3/8	.78	1.03	.078
W169PL-2-4	1/8	1/4	9/16	.78	1.40	.078
W169PL-3-2	3/16	1/8	7/16	.78	1.17	.156
W169PL-5/32-2	5/32	1/8	7/16	.80	1.24	.109
W169PL-5/32-4	5/32	1/4	9/16	.80	1.42	.109
169PL-5/32-10X32	5/32	10-32	3/8	.80	1.05	.078
W169PL-4-2	1/4	1/8	7/16	.83	1.14	.188
W169PL-4-4	1/4	1/4	9/16	.83	1.32	.188
W169PL-4-6	1/4	3/8	3/4	.83	1.36	.188
169PL-4-10X32	1/4	10-32	7/16	.96	.94	.078
W169PL-5-2	5/16	1/8	1/2	.99	1.42	.234
W169PL-5-4	5/16	1/4	9/16	.99	1.60	.234
W169PL-6-2	3/8	1/8	9/16	1.04	1.48	.234
W169PL-6-4	3/8	1/4	9/16	1.04	1.66	.297
W169PL-6-6	3/8	3/8	11/16	1.04	1.70	.297
W169PL-6-8	3/8	1/2	7/8	1.04	1.89	.297
W169PL-8-4	1/2	1/4	11/16	1.19	1.75	.344
W169PL-8-6	1/2	3/8	3/4	1.19	1.79	.375
W169PL-8-8	1/2	1/2	7/8	1.19	1.98	.375



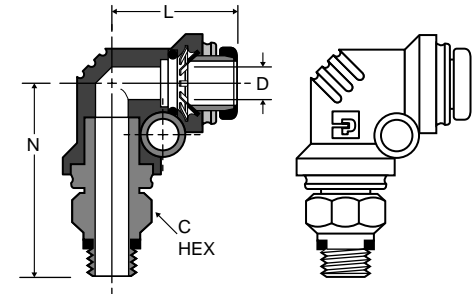
Male elbow swivel 90° W369PL

Composite Body

PART NO.	TUBE SIZE	PIPE THREAD [NPTF]	C HEX	MOUNTING HOLE DIA.		L	N	D
W369PL-2-1	1/8	1/16	3/8	.13	.71	1.08	.078	
W369PL-2-2	1/8	1/8	7/16	.13	.71	1.14	.078	
369PL-2-10X32	1/8	10-32	3/8	.13	.71	.94	.078	
W369PL-2-4	1/8	1/4	9/16	.13	.71	1.32	.078	
W369PL-3-2	3/16	1/8	7/16	.17	.76	1.20	.147	
W369PL-3-4	3/16	1/4	9/16	.17	.76	1.40	.147	
W369PL-5/32-2	5/32	1/8	7/16	.13	.71	1.14	.094	
W369PL-5/32-4	5/32	1/4	9/16	.13	.71	1.32	.094	
369PL-5/32-10X32	5/32	10-32	3/8	.13	.71	.92	.094	
W369PL-4-1	1/4	1/16	7/16	.17	.76	1.20	.094	
W369PL-4-2	1/4	1/8	7/16	.17	.76	1.20	.170	
W369PL-4-4	1/4	1/4	9/16	.17	.76	1.38	.170	
W369PL-4-6	1/4	3/8	11/16	.17	.76	1.42	.170	
369PL-4-10X32	1/4	10-32	7/16	.17	.76	1.05	.094	
W369PL-5-2	5/16	1/8	1/2	.17	.84	1.28	.220	
W369PL-5-4	5/16	1/4	9/16	.17	.84	1.46	.234	
W369PL-6-2	3/8	1/8	9/16	.17	1.04	1.48	.220	
W369PL-6-4	3/8	1/4	5/8	.17	1.04	1.66	.297	
W369PL-6-6	3/8	3/8	11/16	.17	1.04	1.70	.297	
W369PL-6-8	3/8	1/2	7/8	.17	1.04	1.89	.297	
W369PL-8-4	1/2	1/4	3/4	.17	1.30	1.64	.314	
W369PL-8-6	1/2	3/8	3/4	.17	1.30	1.68	.375	
W369PL-8-8	1/2	1/2	7/8	.17	1.30	1.87	.375	

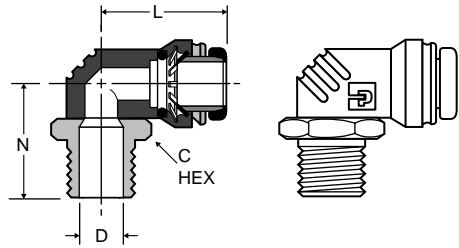


369PL-X-10/32



Compact elbow W369PLC

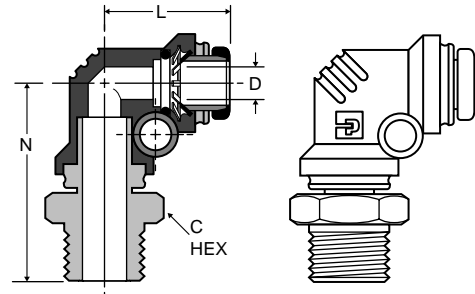
PART NO.	TUBE SIZE	PIPE THREAD (NPTF)	C HEX	L	N	FLOW DIA.
						D
W369PLC-2-2	1/8	1/8	7/16	.81	.71	.08
W369PLC-5/32-2	5/32	1/8	7/16	.83	.71	.08
W369PLC-5/32-4	5/32	1/4	9/16	.83	.89	.08
W369PLC-3-2	3/16	1/8	7/16	.86	.81	.08
W369PLC-4-2	1/4	1/8	7/16	.86	.81	.08
W369PLC-4-4	1/4	1/4	9/16	.86	.99	.08
W369PLC-5-4	5/16	1/4	9/16	.94	.97	.11
W369PLC-6-4	3/8	1/4	5/8	1.13	1.07	.20
W369PLC-6-6	3/8	3/8	3/4	1.13	1.15	.20



Male elbow swivel 90° stainless steel componentry SS369PL

Composite Body

PART NO.	TUBE SIZE	PIPE THREAD [NPTF]	C HEX	MOUNTING HOLE DIA.		L	N	D
SS369PL-4-2	1/4	1/8	7/16	.17	.76	1.20	.170	
SS369PL-4-4	1/4	1/4	9/16	.17	.76	1.38	.170	
SS369PL-6-4	3/8	1/4	5/8	.17	1.04	1.66	.297	

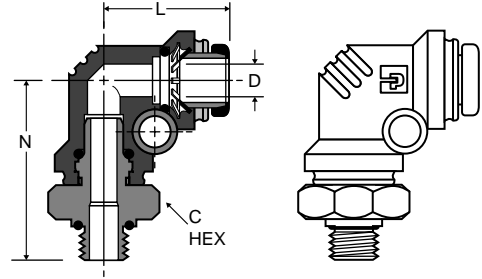


Prestolok/Prestolok II Fittings

PLE2BF4-K BSPP male elbow swivel

Composite Body

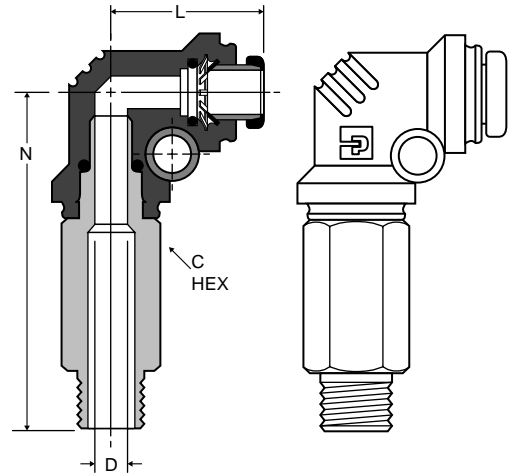
PART NO.	TUBE SIZE	PIPE THREAD BSPP	C HEX	MOUNTING HOLE DIA.	L	N	D
3-1/8PLE2BF4-K	3/16	1/8-28	11/16	.17	.76	1.17	.150
3-1/4PLE2BF4-K	3/16	1/4-19	3/4	.17	.76	1.31	.150
4-1/8PLE2BF4-K	1/4	1/8-28	11/16	.17	.76	1.06	.180
4-1/4PLE2BF4-K	1/4	1/4-19	3/4	.17	.76	1.31	.170
4-3/8PLE2BF4-K	1/4	3/8-19	11/16	.17	.76	1.06	.180
6-1/4PLE2BF4-K	3/8	1/4-19	3/4	.17	1.04	1.57	.300
6-3/8PLE2BF4-K	3/8	3/8-19	7/8	.17	1.04	1.68	.300
6-1/2PLE2BF4-K	3/8	1/2-14	1-1/16	.17	1.04	1.90	.300
8-3/8PLE2BF4-K	1/2	3/8-19	7/8	.17	1.03	1.63	.410
8-1/2PLE2BF4-K	1/2	1/2-19	1-1/16	.17	1.03	1.78	.410



Male elbow swivel 90° W369PLX

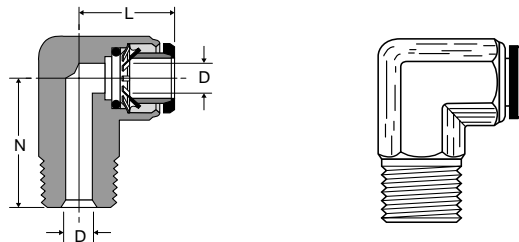
Composite Body

PART NO.	TUBE SIZE	PIPE THREAD [NPTF]	C HEX	MOUNTING HOLE DIA.	L	N	D
W369PLX-2-2	1/8	1/8	7/16	.13	.71	1.67	.080
W369PLX-2-4	1/8	1/4	9/16	.13	.71	1.67	.080
W369PLX-3-2	3/16	1/8	7/16	.17	.76	1.88	.150
W369PLX-3-4	3/16	1/4	9/16	.17	.76	1.88	.150
W369PLX-3-6	3/16	3/8	11/16	.17	.76	1.88	.150
W369PLX-4-2	1/4	1/8	7/16	.17	.76	1.88	.170
W369PLX-4-4	1/4	1/4	9/16	.17	.76	1.88	.170
W369PLX-4-6	1/4	3/8	11/16	.17	.76	1.88	.170
369PLX-5/32-0	5/32	10-32	3/8	.13	.73	1.54	.090
W369PLX-5/32-2	5/32	1/8	7/16	.13	.74	1.54	.090
W369PLX-5/32-4	5/32	1/4	9/16	.13	.71	1.54	.090
W369PLX-5-2	5/16	1/8	1/2	.17	.84	1.99	.220
W369PLX-5-4	5/16	1/4	9/16	.17	.84	1.99	.230
W369PLX-5-6	5/16	3/8	11/16	.17	.84	1.99	.230
W369PLX-6-4	3/8	1/4	5/8	.17	1.04	2.56	.240
W369PLX-6-6	3/8	3/8	11/16	.17	1.04	2.56	.330
W369PLX-6-8	3/8	1/2	7/8	.17	1.04	2.56	.300
W369PLX-8-4	1/2	1/4	11/16	.17	1.03	2.80	.310
W369PLX-8-6	1/2	3/8	3/4	.17	1.03	2.80	.340
W369PLX-8-8	1/2	1/2	7/8	.17	1.03	2.80	.340



Male elbow 90° W169PLNS

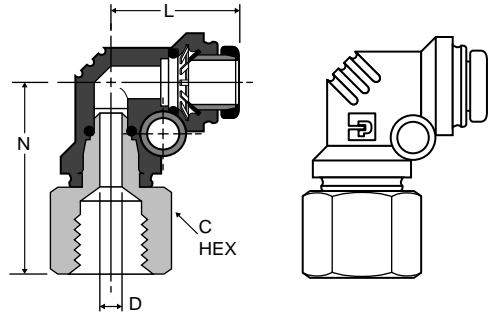
PART NO.	TUBE SIZE	PIPE THREAD [NPTF]	L	N	D
W169PLNS-2-2	1/8	1/8	.78	.68	.094
W169PLNS-5/32-2	5/32	1/8	.80	.68	.125
W169PLNS-5/32-4	5/32	1/4	.80	.89	.125
W169PLNS-4-2	1/4	1/8	.83	.69	.188
W169PLNS-4-4	1/4	1/4	.96	.89	.188
W169PLNS-5-2	5/16	1/8	.98	.78	.234
W169PLNS-5-4	5/16	1/4	1.02	.97	.250
W169PLNS-6-4	3/8	1/4	1.04	.97	.312
W169PLNS-6-6	3/8	3/8	1.11	1.09	.312
W169PLNS-6-8	3/8	1/2	1.20	1.26	.312
W169PLNS-8-6	1/2	3/8	1.26	1.15	.375
W169PLNS-8-8	1/2	1/2	1.26	1.31	.375



Female elbow swivel 370PL

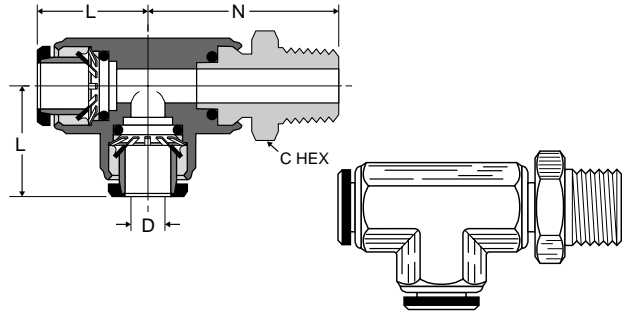
Composite Body

PART NO.	TUBE SIZE	PIPE THREAD [NPTF]	C HEX	MOUNTING HOLE DIA.	L	N	D	
370PL-2-2	1/8	1/8	9/16	.13	.71	1.01	.078	
370PL-5/32-2	5/32	1/8	9/16	.13	.74	1.01	.090	
370PL-5/32-4	5/32	1/4	3/4	.13	.71	1.23	.090	
370PL-4-10x32	1/4	10x32	7/16	.17	.76	1.02	.159	
370PL-4-2	1/4	1/8	9/16	.17	.76	1.07	.170	
370PL-4-4	1/4	1/4	3/4	.17	.76	1.29	.170	
370PL-5-4	5/16	1/4	3/4	.17	.84	1.37	.230	
370PL-6-4	3/8	1/4	3/4	.17	1.04	1.57	.297	
370PL-8-6	1/2	3/8	7/8	.17	1.03	1.57	.340	



Male run tee swivel W171PL

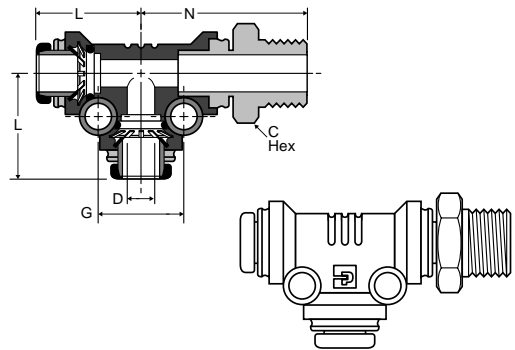
PART NO.	TUBE SIZE	PIPE THREAD [NPTF]	C HEX	L	N	D	
W171PL-2-2	1/8	1/8	7/16	.78	1.22	.078	
W171PL-5/32-2	5/32	1/8	7/16	.80	1.24	.109	
W171PL-4-2	1/4	1/8	7/16	.96	1.26	.188	
W171PL-4-4	1/4	1/4	9/16	.96	1.44	.188	
W171PL-5-2	5/16	1/8	1/2	.99	1.42	.234	
W171PL-5-4	5/16	1/4	9/16	.99	1.60	.234	
W171PL-6-4	3/8	1/4	9/16	1.04	1.66	.297	
W171PL-6-6	3/8	3/8	11/16	1.04	1.70	.297	
W171PL-8-6	1/2	3/8	3/4	1.19	1.79	.375	
W171PL-8-8	1/2	1/2	7/8	1.19	1.98	.375	



Male run tee swivel W371PL

Composite Body

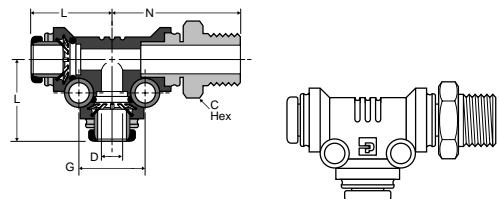
PART NO.	TUBE SIZE	PIPE THREAD [NPTF]	C HEX	MOUNTING HOLE DIA.	L	N	G	D
W371PL-2-1	1/8	1/16	3/8	.13	.71	1.08	.52	.078
W371PL-2-2	1/8	1/8	7/16	.13	.71	1.14	.52	.078
W371PL-2-4	1/8	1/4	9/16	.13	.71	1.32	.52	.080
371PL-2-10x32	1/8	10-32	.44	.13	.71	.94	.52	.078
W371PL-3-2	3/16	1/8	7/16	.17	.76	1.20	.64	.150
W371PL-3-4	3/16	1/4	9/16	.17	.76	1.40	.64	.147
W371PL-5/32-2	5/32	1/8	7/16	.13	.71	1.14	.52	.094
W371PL-5/32-4	5/32	1/4	7/16	.13	.71	1.14	.52	.094
371PL-5/32-10x32	5/32	10-32	3/8	.13	.71	.94	.52	.090
W371PL-4-1	1/4	1/16	7/16	.17	.76	1.20	.64	.094
W371PL-4-2	1/4	1/8	7/16	.17	.76	1.20	.64	.170
W371PL-4-4	1/4	1/4	9/16	.17	.76	1.38	.64	.170
371PL-4-10x32	1/4	10-32	7/16	.13	.76	1.05	.64	.094
W371PL-4-6	1/4	3/8	11/16	.17	.76	1.42	.64	.170
W371PL-5-2	5/16	1/8	1/2	.17	.84	1.28	.72	.220
W371PL-5-4	5/16	1/4	9/16	.17	.84	1.46	.72	.234
W371PL-6-2	3/8	1/8	7/16	.13	1.04	1.48	.83	.230
W371PL-6-4	3/8	1/4	5/8	.17	1.04	1.66	.83	.297
W371PL-6-6	3/8	3/8	11/16	.17	1.04	1.70	.83	.297
W371PL-6-8	3/8	1/2	7/8	.13	1.04	1.85	.83	.300
W371PL-8-4	1/2	1/4	3/4	.17	1.30	2.07	1.00	.310
W371PL-8-6	1/2	3/8	3/4	.17	1.30	1.68	1.00	.375
W371PL-8-8	1/2	1/2	7/8	.17	1.30	1.87	1.00	.375



Male run tee swivel stainless steel componentry SS371PL

Composite Body

PART NO.	TUBE SIZE	PIPE THREAD [NPTF]	C HEX	MOUNTING HOLE DIA.	L	N	G	D
SS371PL-4-2	1/4	1/8	7/16	.17	.76	1.20	.64	.170
SS371PL-6-4	3/8	1/4	5/8	.17	1.04	1.66	.83	.297

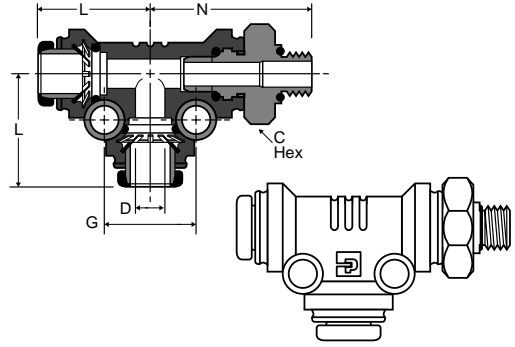


Prestolok/Prestolok II Fittings

PLR2BF4-K BSPP male run tee swivel

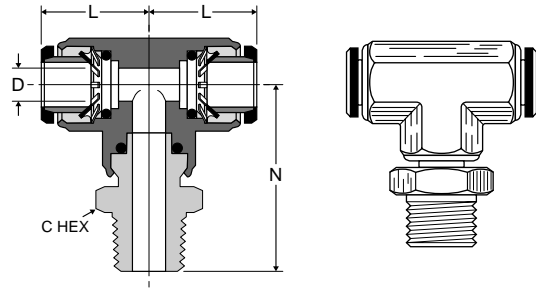
Composite Body

PART NO.	TUBE SIZE	PIPE THREAD BSPP	C HEX	MOUNTING HOLE DIA.	L	N	G	D
3-1/4PLR2BF4-K	3/16	1/4-19	3/4	.17	.76	1.31	.64	.150
4-1/8PLR2BF4-K	1/4	1/8-28	11/16	.17	.76	1.06	.64	.170
4-1/4PLR2BF4-K	1/4	1/4-19	3/4	.17	.76	1.31	.64	.170
6-1/4PLR2BF4-K	3/8	1/4-19	3/4	.17	1.04	1.52	.83	.300
6-3/8PLR2BF4-K	3/8	3/8-19	7/8	.17	1.04	1.68	.83	.300
8-3/8PLR2BF4-K	1/2	3/8-19	7/8	.17	1.30	1.90	1.00	.340
8-1/2PLR2BF4-K	1/2	1/2-19	1-1/16	.17	1.30	2.05	1.00	.340



Male branch tee swivel W172PL

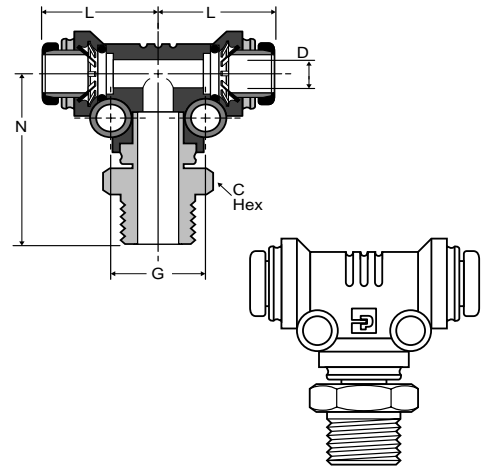
PART NO.	TUBE SIZE	PIPE THREAD [NPTF]	C HEX	L	N	D
W172PL-2-2	1/8	1/8	7/16	.78	1.22	.078
W172PL-3-2	3/16	1/8	7/16	.78	1.17	.156
W172PL-5/32-2	5/32	1/8	7/16	.80	1.24	.109
W172PL-4-2	1/4	1/8	7/16	.96	1.26	.188
W172PL-4-4	1/4	1/4	9/16	.96	1.44	.188
W172PL-5-2	5/16	1/8	1/2	.99	1.42	.234
W172PL-5-4	5/16	1/4	9/16	.99	1.60	.234
W172PL-6-4	3/8	1/4	9/16	1.04	1.66	.297
W172PL-6-6	3/8	3/8	11/16	1.04	1.70	.297
W172PL-8-6	1/2	3/8	3/4	1.19	1.79	.375
W172PL-8-8	1/2	1/2	7/8	1.19	1.98	.375



Male branch tee swivel W372PL

Composite Body

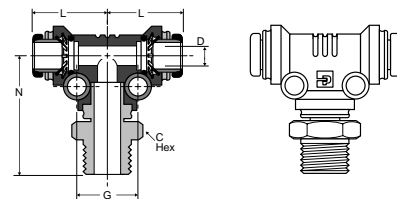
PART NO.	TUBE SIZE	PIPE THREAD [NPTF]	C HEX	MOUNTING HOLE DIA.	L	N	G	D
W372PL-2-1	1/8	1/16	3/8	.13	.71	1.08	.52	.078
W372PL-2-2	1/8	1/8	7/16	.13	.71	1.14	.52	.078
W372PL-2-4	1/8	1/4	9/16	.13	.70	1.32	.52	.080
372PL-2-10x32	1/8	10-32	3/8	.13	.70	.94	.52	.080
W372PL-3-2	3/16	1/8	7/16	.17	.76	1.20	.64	.147
W372PL-3-4	3/16	1/4	9/16	.17	.76	1.40	.64	.147
W372PL-5/32-2	5/32	1/8	7/16	.13	.71	1.14	.52	.094
W372PL-5/32-4	5/32	1/4	9/16	.13	.68	1.32	.52	.090
372PL-5/32-10x32	5/32	10-32	3/8	.13	.70	.94	.52	.090
W372PL-4-1	1/4	1/16	7/16	.17	.76	1.20	.64	.094
W372PL-4-2	1/4	1/8	7/16	.17	.76	1.20	.64	.170
W372PL-4-4	1/4	1/4	9/16	.17	.76	1.38	.64	.170
372PL-4-10x32	1/4	10-32	7/16	.17	.76	1.05	.64	.090
W372PL-4-6	1/4	3/8	11/16	.17	.76	1.42	.64	.170
W372PL-5-2	5/16	1/8	1/2	.17	.84	1.28	.72	.220
W372PL-5-4	5/16	1/4	9/16	.17	.84	1.46	.72	.234
W372PL-6-2	3/8	1/8	9/16	.17	1.03	1.48	.83	.230
W372PL-6-4	3/8	1/4	5/8	.17	1.04	1.66	.83	.297
W372PL-6-6	3/8	3/8	11/16	.17	1.04	1.70	.83	.297
W372PL-6-8	3/8	1/2	7/8	.17	1.03	1.85	.83	.300
W372PL-8-4	1/2	1/4	3/4	.17	1.30	2.07	1.00	.310
W372PL-8-6	1/2	3/8	3/4	.17	1.30	1.68	1.00	.375
W372PL-8-8	1/2	1/2	7/8	.17	1.30	1.87	1.00	.375



Male branch tee swivel stainless steel componentry SS372PL

Composite Body

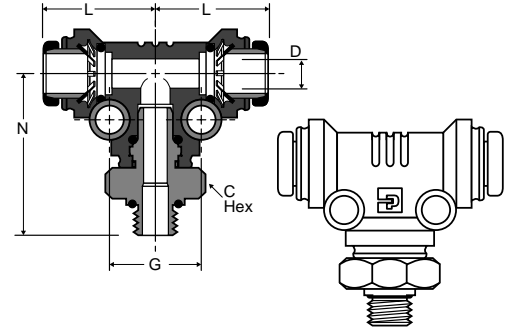
PART NO.	TUBE SIZE	PIPE THREAD [NPTF]	C HEX	MOUNTING HOLE DIA.	L	N	G	D
SS372PL-4-2	1/4	1/8	7/16	.17	.76	1.20	.64	.170
SS372PL-6-4	3/8	1/4	5/8	.17	1.04	1.66	.83	.297



PLS2BF4-K BSPP male branch tee swivel

Composite Body

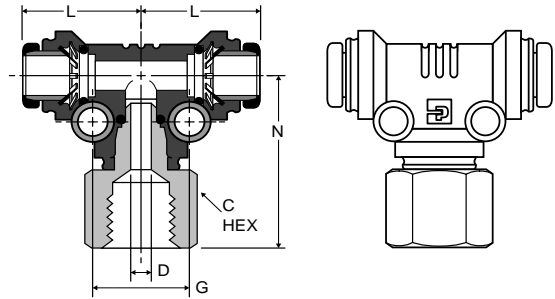
PART NO.	TUBE SIZE	PIPE THREAD BSPP	C HEX	MOUNTING HOLE DIA.	L	N	G	D
3-1/8PLS2BF4-K	3/16	1/8-28	11/16	.17	.76	1.05	.64	.150
3-1/4PLS2BF4-K	3/16	1/4-19	3/4	.17	.76	1.31	.64	.150
4-1/8PLS2BF4-K	1/4	1/8-28	11/16	.17	.76	1.06	.64	.180
4-1/4PLS2BF4-K	1/4	1/4-19	3/4	.17	.76	1.31	.64	.170
6-1/4PLS2BF4-K	3/8	1/4-19	3/4	.17	1.04	1.57	.83	.300
6-3/8PLS2BF4-K	3/8	3/8-19	7/8	.17	1.04	1.68	.83	.300
6-1/2PLS2BF4-K	3/8	1/2-14	1-1/16	.17	1.04	1.83	.83	.300
8-3/8PLS2BF4-K	1/2	3/8-19	7/8	.17	1.30	1.90	1.00	.410



Female branch tee swivel 377PL

Composite Body

PART NO.	TUBE SIZE	PIPE THREAD [NPTF]	C HEX	MOUNTING HOLE DIA.	L	N	G	D
377PL-2-2	1/8	1/8	9/16	.17	.70	1.01	.52	.080
377PL-5/32-2	5/32	1/8	9/16	.13	.70	1.01	.52	.090
377PL-5/32-4	5/32	1/4	3/4	.13	.70	1.23	.52	.090
377PL-4-2	1/4	1/8	9/16	.17	.76	1.07	.64	.170
377PL-4-4	1/4	1/4	3/4	.17	.76	1.29	.64	.170
377PL-5-4	5/16	1/4	3/4	.17	.84	1.37	.72	.230
377PL-6-4	3/8	1/4	3/4	.17	1.04	1.57	.83	.300
377PL-8-6	1/2	3/8	7/8	.17	1.30	1.84	1.00	.410



Plug 639PL

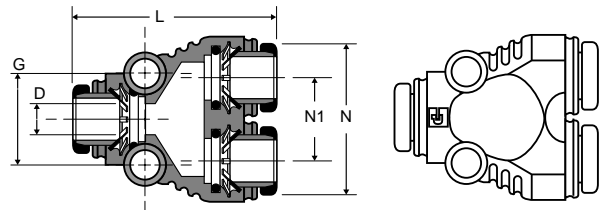
PART NO.	TUBE SIZE	L
639PL-2	1/8	1.30
639PL-5/32	5/32	1.33
639PL-4	1/4	1.34
639PL-5	5/16	1.28
639PL-6	3/8	1.50
639PL-8	1/2	1.69



Union Y connector 362PL

Composite Body

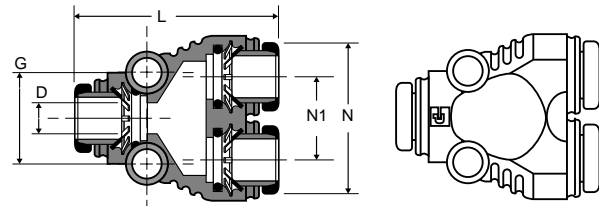
PART NO.	TUBE SIZE	MOUNTING HOLE DIA.	L	N	N1	G	D
362PL-2	1/8	.13	1.38	.92	.41	.57	.130
362PL-5/32	5/32	.13	1.36	.92	.41	.57	.160
362PL-3	3/16	.17	1.49	1.13	.54	.67	.200
362PL-4	1/4	.17	1.49	1.13	.53	.67	.260
362PL-5	5/16	.17	1.49	1.21	.54	.72	.320
362PL-6	3/8	.17	1.88	1.54	.71	.76	.380



Union Y connector stainless steel componentry SS362PL

Composite Body

PART NO.	TUBE SIZE	MOUNTING HOLE DIA.	L	N	N1	G	D
SS362PL-4	1/4	.17	1.49	1.13	.53	.67	.260
SS362PL-6	3/8	.17	1.88	1.54	.71	.76	.380

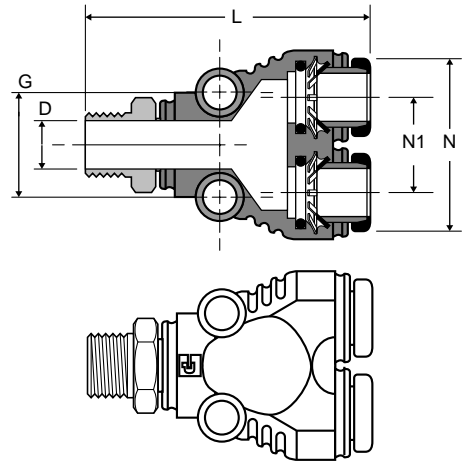


Prestolok/Prestolok II Fittings

Union Y male connector W368PL

Composite Body

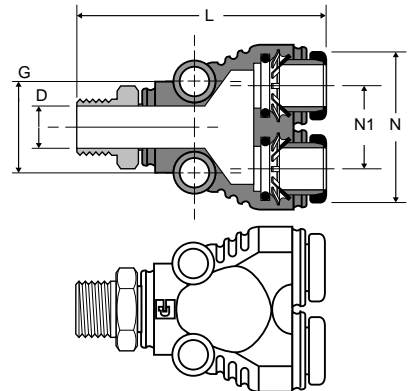
PART NO.	TUBE SIZE	PIPE SIZE	G	MOUNTING HOLE DIA.	L	N	N1	D
W368PL-2-2	1/8	1/8	.57	.13	1.81	.91	.41	.080
W368PL-2-4	1/8	1/4	.57	.13	1.98	.91	.41	.080
368PL-5/32-10x32	5/32	10-32	.57	.13	1.60	.92	.41	.090
W368PL-5/32-2	5/32	1/8	.57	.13	1.80	.92	.41	.090
W368PL-5/32-4	5/32	1/4	.57	.13	1.98	.92	.41	.090
368PL-3-10x32	3/16	10-32	.67	.17	1.77	1.13	.54	.094
W368PL-3-2	3/16	1/8	.67	.17	1.92	1.13	.54	.150
W368PL-3-4	3/16	1/4	.67	.17	2.16	1.13	.54	.150
W368PL-3-6	3/16	3/8	.67	.17	2.16	1.13	.54	.147
368PL-4-10x32	1/4	10-32	.67	.17	1.78	1.13	.53	.090
W368PL-4-2	1/4	1/8	.67	.17	1.93	1.13	.53	.172
W368PL-4-4	1/4	1/4	.67	.17	2.11	1.13	.53	.170
W368PL-4-6	1/4	3/8	.67	.17	2.15	1.13	.53	.170
W368PL-5-2	5/16	1/8	.72	.17	1.87	1.20	.54	.230
W368PL-5-4	5/16	1/4	.72	.17	2.10	1.20	.54	.230
W368PL-5-6	5/16	3/8	.72	.17	2.04	1.20	.54	.234
W368PL-6-4	3/8	1/4	.76	.17	2.50	1.53	.71	.300
W368PL-6-6	3/8	3/8	.76	.17	2.50	1.53	.71	.300
W368PL-6-8	3/8	1/2	.76	.17	2.69	1.53	.71	.300



Union Y male connector stainless steel componentry SS368PL

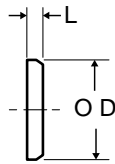
Composite Body

PART NO.	TUBE SIZE	PIPE SIZE	G	MOUNTING HOLE DIA.	L	N	N1	D
SS368PL-4-2	1/4	1/8	.67	.17	1.93	1.13	.53	.172
SS368PL-6-4	3/8	1/4	.76	.17	2.50	1.53	.71	.300



Color release buttons PLB

PART NO.	TUBE SIZE	Ø D	L
2PLB-X	1/8"	.14	.11
5/32PLB-X	5/32"	.37	.11
3PLB-X	3/16"	.40	.11
4PLB-X	1/4"	.46	.11
5PLB-X	5/16"	.52	.11
6PLB-X	3/8"	.65	.11
8PLB-X	1/2"	.77	.11



Note: when ordering color release buttons please specify button color by replacing the "X" with the appropriate color abbreviation.

EXAMPLE: 2PLB-BU

COLORS: BU-Blue, G- Green, O-Orange, P-Purple, R-Red Y-Yellow